

Wiring Diagram

Field-Attachable DeviceNet Connector

NMEA 2000® Compatible

Assembling and Wiring the Connector

05/21/12 **NOTE:** The instructions are the same for both male and female connectors.

1. Remove a connector from the bag and unscrew the terminal assembly from the body of the connector (see Figure 1).

17-470-01 rev. 05

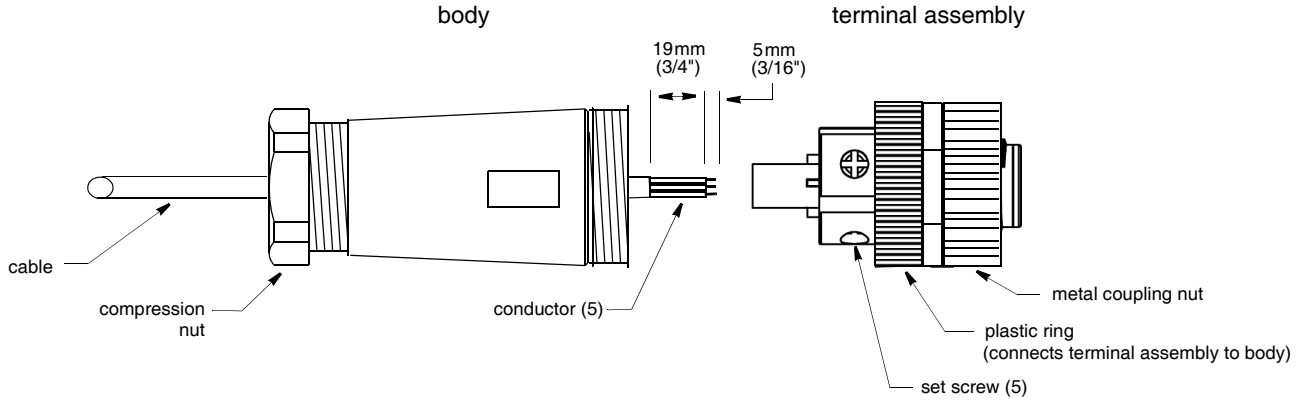


Figure 1. Assembling connector (Turck female connector shown)

Copyright © 2012 Airmar Technology Corp.

2. Push the cable through the compression nut and the body of the connector including the cable gland inside until the cable projects through the opposite end. Do not tighten the compression nut at this time.
3. Strip 25mm (1") of the outer jacket and foil shield from the cut end of the cable to expose the colored conductors.
4. Strip 5mm (3/16") of insulation from the end of each colored conductor.
5. Cover the bare wire with electrical tape or shrink tubing (not supplied).
6. Secure each conductor to the appropriate terminal by tightening the set screw. Follow the color code below (see Figure 2).
7. Repeat until all the conductors are secured.
8. Attach the terminal assembly to the body by rotating the plastic ring in a clockwise direction (see Figure 1).
9. Secure the compression nut to the body by rotating it in a clockwise direction. This will hold the cable firmly in place.
10. Repeat the steps for each connector.

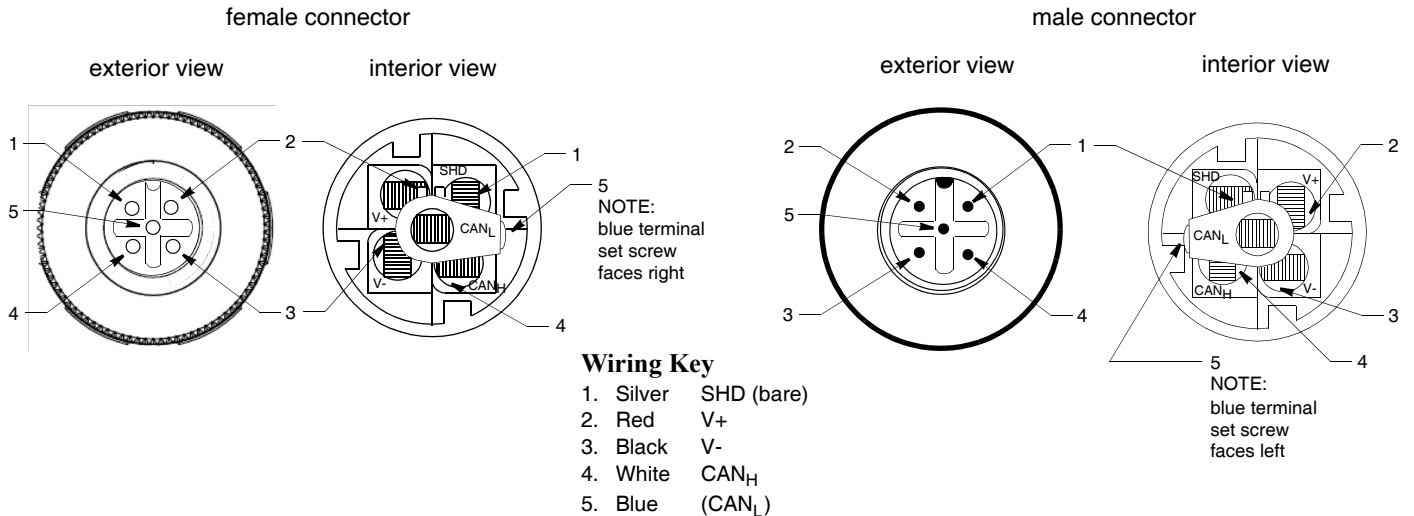


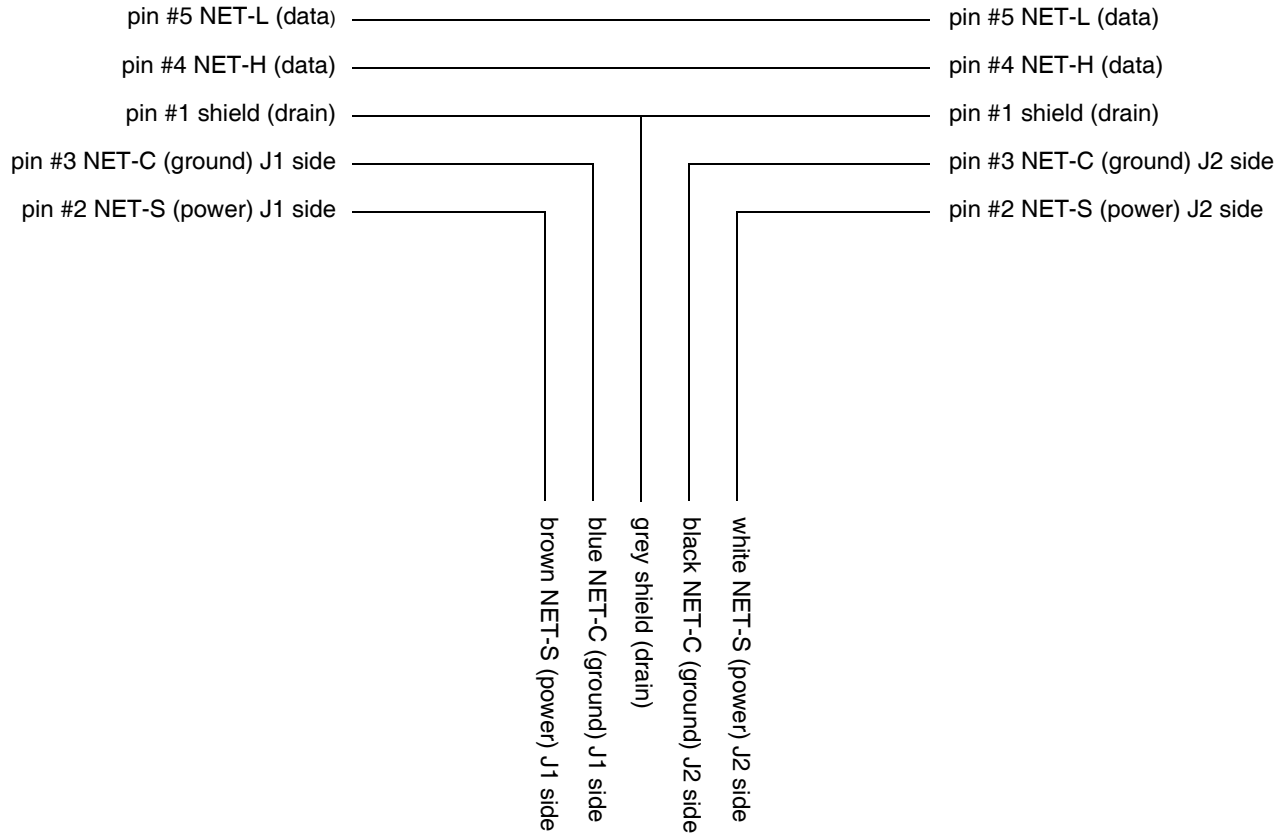
Figure 2. Connecting to the terminals (Turck connectors shown)

Copyright © 2012 Airmar Technology Corp.

Wiring Diagram

Micro Powertap Tee

NMEA 2000® Compatible



WARNING: The power panel must have 12VDC at 0.5 amp fast-blow fuse or circuit breaker.

Connecting

White	V+
Brown	V+
Black	V-/ground
Blue	V- /ground
Grey	V- /ground

Purchase Parts

Obtain parts from your instrument manufacturer or marine dealer.

Gemeco	Tel: 803.693.0777
(USA)	Fax: 803.693.0477
	email: sales@gemeco.com

Airmar EMEA	Tel: +33.02.23.52.06.48
(Europe, Middle East & Africa)	Fax: +33.02.23.52.06.49
	email: sales@airmar-emea.com



35 Meadowbrook Drive, Milford, New Hampshire 03055-4613, USA

■ www.airmar.com